

AEC-931BSD

HIGH POWER LED MOTION LIGHT WITH VIDEO CAMERA

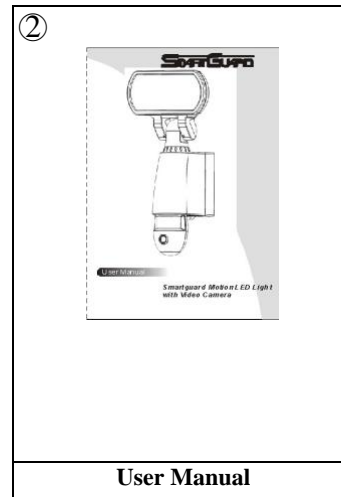
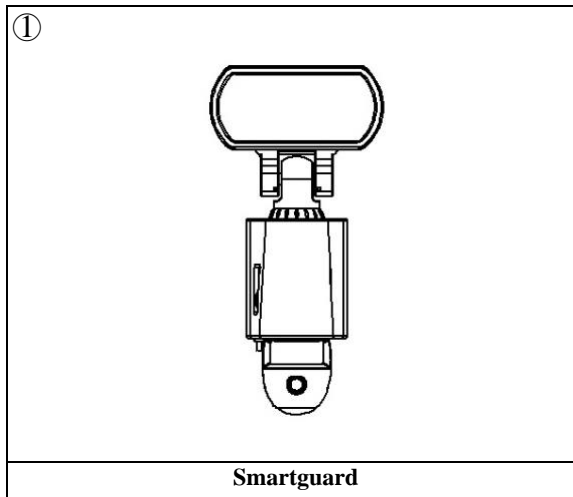
INSTRUCTION

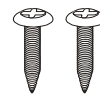
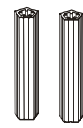


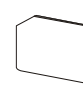
Table of contents

1. Contents of package
2. Smartguard™ Motion Light with Video Camera
3. Installation
4. Technical Specifications

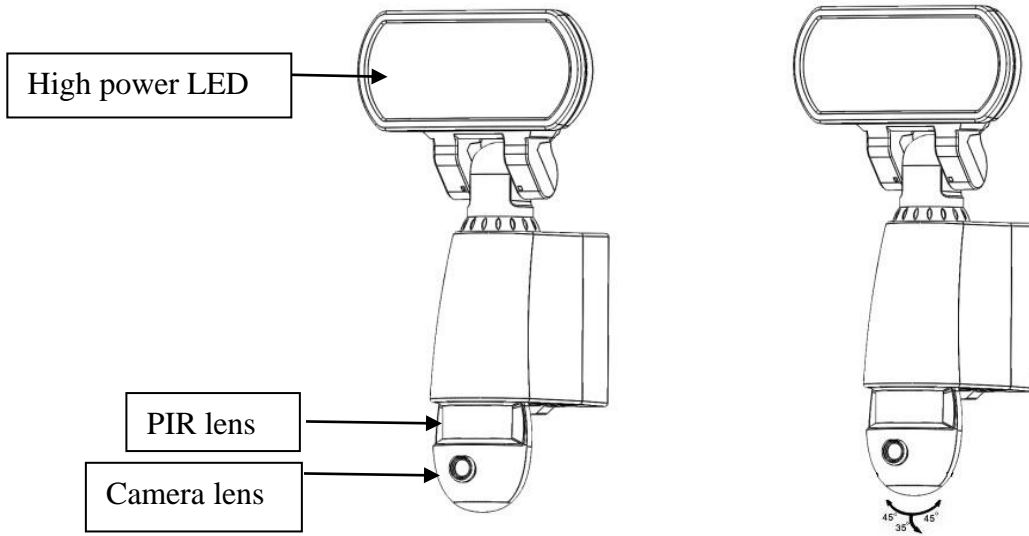
Contents of packaging

- Smartguard™ Motion Light with Video Camera
- User Manual
- Accessory bag
- 1 Allen key



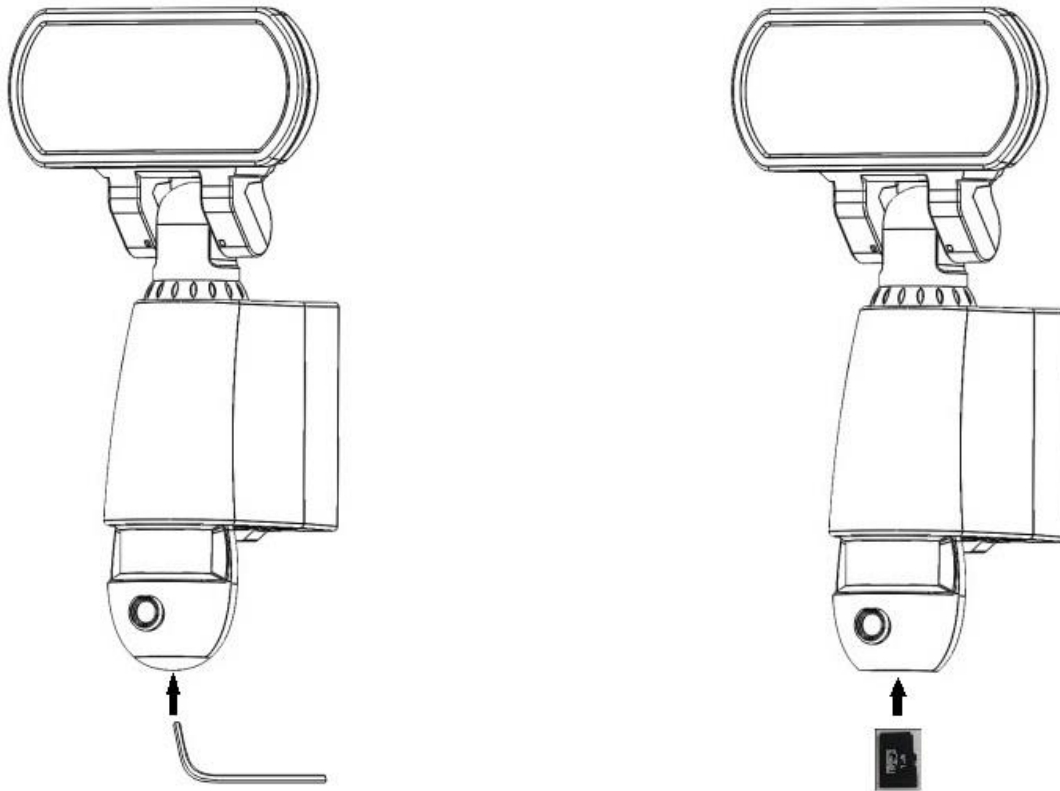
③	④	⑤	⑥	⑦
				
Screws x 2	Plastic Masonry plugs x 2	L bar (Optional)	Clamp (Optional)	Micro SD Card (Optional)

Smartguard™ Motion Light with Video Camera overview



Step 1. Insert/remove Micro SD Card :

- Unscrew the waterproofed cover using provided Allen key , then insert the Micro SD card until it automatically locks into place.
- Micro SD card is placed at the bottom of the motion sensor. To remove Micro SD card, please push in SD once to eject, then pull out.



Step2. Installing the Smartguard™ Motion Light with Video Camera

IMPORTANT

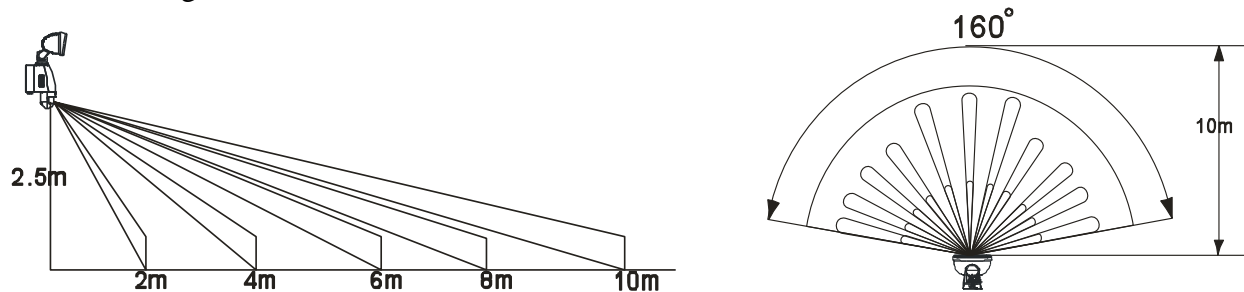
IF IN ANY DOUBT ABOUT THE INSTALLATION OF THIS PRODUCT, CONSULT A QUALIFIED ELECTRICIAN

- This product must be grounded
- Do not mount the unit against inflammable surfaces
- The motion detector will not operate correctly if it is installed:
 - ① Near the outlet of a central heating boiler
 - ② Near air conditioning plant
 - ③ Pointing directly at moving vehicles
 - ④ Within sight of reflections from moving water
 - ⑤ Where other lamps could shine on the detector

BEFORE ATTEMPTING ANY INSTALLATION OR MAINTENANCE, ENSURE THAT THE ELECTRICAL SUPPLY IS SWITCHED OFF AND THE CIRCUIT FUSES REMOVED OR THE CIRCUIT BREAKER IS IN THE OFF POSITION. Please make sure the voltage and polarity are correct before connection. Incorrect voltage may cause electric shock. If you are not sure, please contact your retailer.

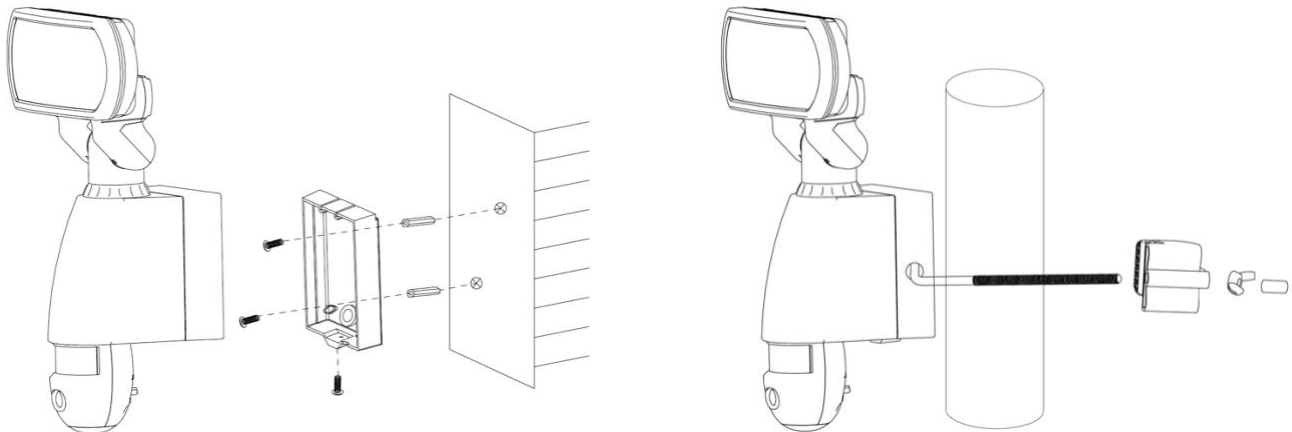
Note: It is recommend to mount Smartguard™ Motion Light with Video Camera 2.5M above the ground for optimum performance, do not mount the fixture below 2M. See below figure for details of performance range.

Detection range: 10M x 160°



Installing your Smartguard™ Motion Light with Video Camera

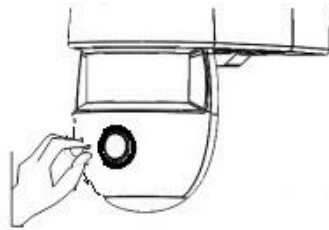
1. Place plastic masonry plugs into desired surface aligning holes as shown below. Using an electric screwdriver, fasten mounting plate directly to surface using screws.
2. Attach the unit to the mounting plate. You will first need to angle the unit back so that the catch at the top of the mounting plate fits into slot on the back of the unit. Next lower the unit until holes at the bottom of the mounting plate and unit are flush. Then screw into this hole, tightening carefully.



Please allow 1 minute warm-up time after switching on.

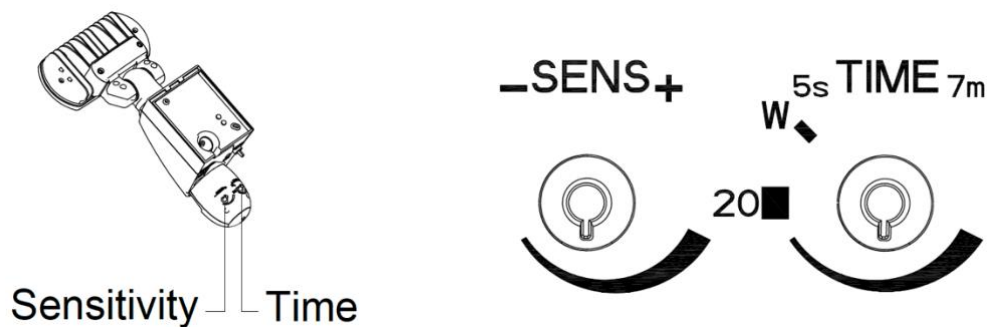
* Push the RESET button after switching on.

Remove plastic lens cover from camera after installation.



Step 3. Adjusting the Settings

- **Time control** : Turn the time control knob to “+” side to increase the illumination time (7 minutes max.), turn the control knob to “-” side to reduce the illumination time (5 seconds min.).



- **Sensitivity control** :
Adjust the detector range of Passive Infrared Motion Sensor (2M ~ 10M)

- **Selecting working mode:**

- Mode 1**

- Light + camera + speaker: all day detection
 - Daytime and nighttime: light, camera and speaker are all in operation

- Mode 2**

- Light at night + camera all day + speaker in the daytime
 - Daytime: light is off, camera is on, speaker is on
 - Nighttime: light is on, camera is on, speaker is off.

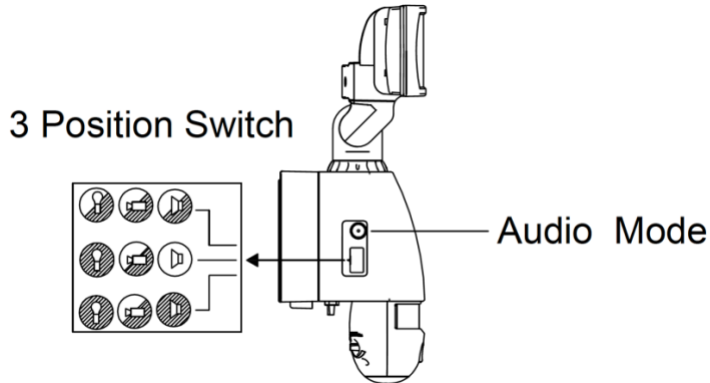
- Mode 3**

- Light at night + camera all day + speaker at night
 - Daytime: light is off, camera is on, speaker is off.
 - Nighttime: light is on, camera is on, speaker is on.

- **Audio mode** : for different sound selection

Pre-set default is “silent mode”, push one time for “ding-dong”, push again for “dog barking”.

- **LED indicator** : for indicating the function status of the unit by different color LED lights.
 - 1) Red : Micro SD Card is not inserted into the Micro SD slot or the system is malfunctioning.
 - 2) Green : The unit is recording
 - 3) LED off: stand by (Micro SD Card is inserted into the slot) , when off/record button is pressed



Step 4. Set the Data and Time :

This will allow the security video taken by Smartguard™ to display the correct date and time it was taken.

1. Build the file by following steps:

Open Notepad on computer → input date and time (ex. 2022-05-08 11:54:00) → input userconfig as the file name → choose .txt for the format → save the file

2. Users can set up date and time in userconfig.txt by following steps:

A. Input date and time (ex. 2022-05-08 11:54:00), save the file once done

B. Copy userconfig.txt to the root directory of SD card

NOTE: *DON'T delete the original userconfig.txt file stored in date folder just in case you want to change the time setting again in the future and you can use this same file to do setup.

*DON'T change this file name "userconfig.txt".

C. Insert SD card into the card slot, the date and time will update automatically. Then this file "userconfig.txt" saved in the root directory will be disappeared automatically.

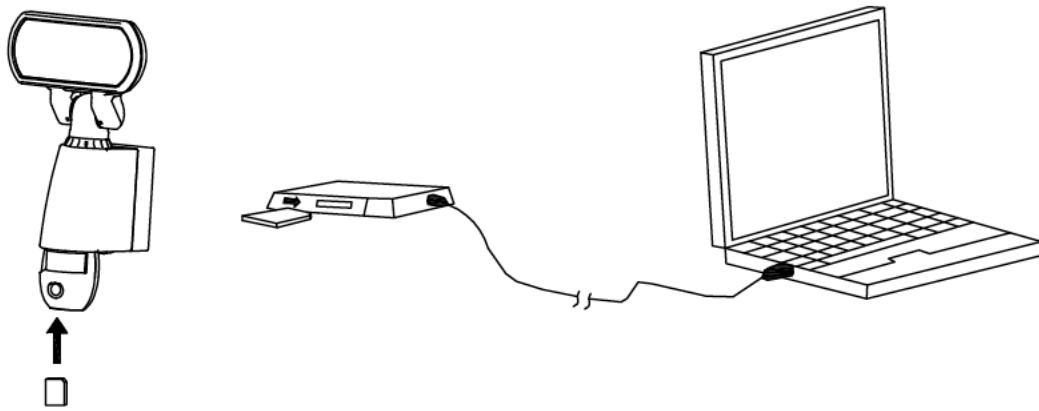
3. If userconfig.txt is lost, users still can build the file by yourself by following steps:

Open Notepad on computer → input date and time (ex. 2022-05-08 11:54:00) → input userconfig as the file name → choose .txt for the format → save the file

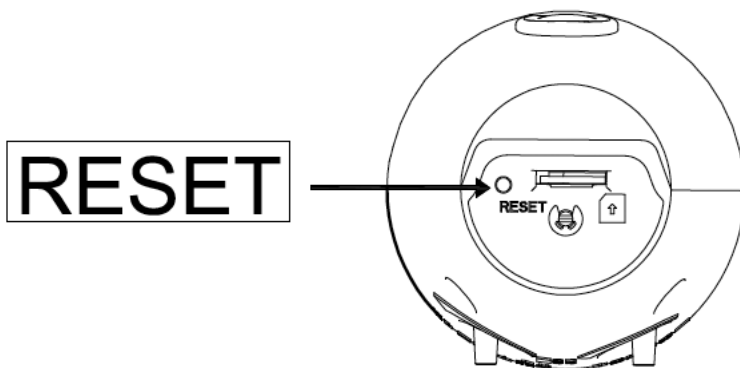
Step 5. Viewing video

1. Viewing image by computer through a card reader

- Open the waterproofed cover on the Smartguard™ Motion Light with Video Camera
- To remove Micro SD card, please push in SD once to eject, then pull out.
- Put the Micro SD Card into a PC and open any media player to view the video.
- 2 files of 0KB will be generated automatically at once when you remove SD card every time. Insert the SD card into the product again, files of 0KB will be deleted automatically.



- **Reset button** : Please press Reset button in case of system malfunction



Technical Specifications

1. Features and specification :

- PIR detection angle 160 Deg and detection range up to 10M
- Records 20 seconds image recording for image stream : 15fps at 1920*1080 Pixels
- Built in Micro SD Card slot for Micro SD memory card
- Micro SD Card slot for additional storage, max memory size up to 32G
- Micro SD Card spec. : FAT
- Automatic exposure control, white balance and sharpness
- Auto Date & Time stamp
- Effective viewing angle : 50 deg
- Effective viewing distance : 8M
- Image format : AVI File
- Powered by AC 100V/60Hz
- Auto light sensor
- Sensitivity control
- Floodlight time delay control